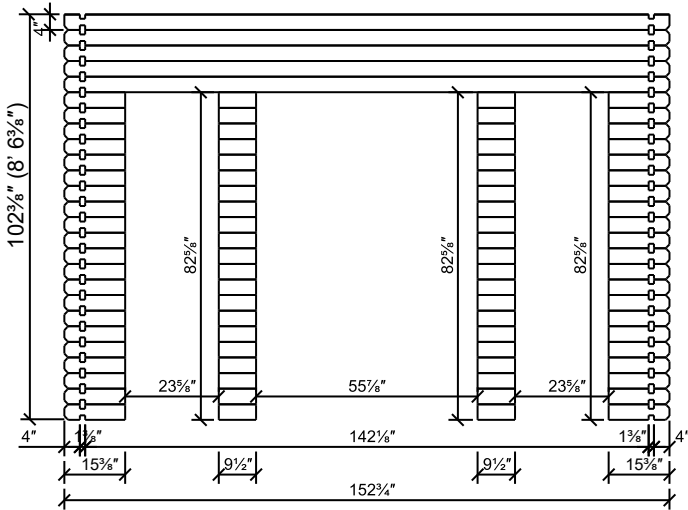
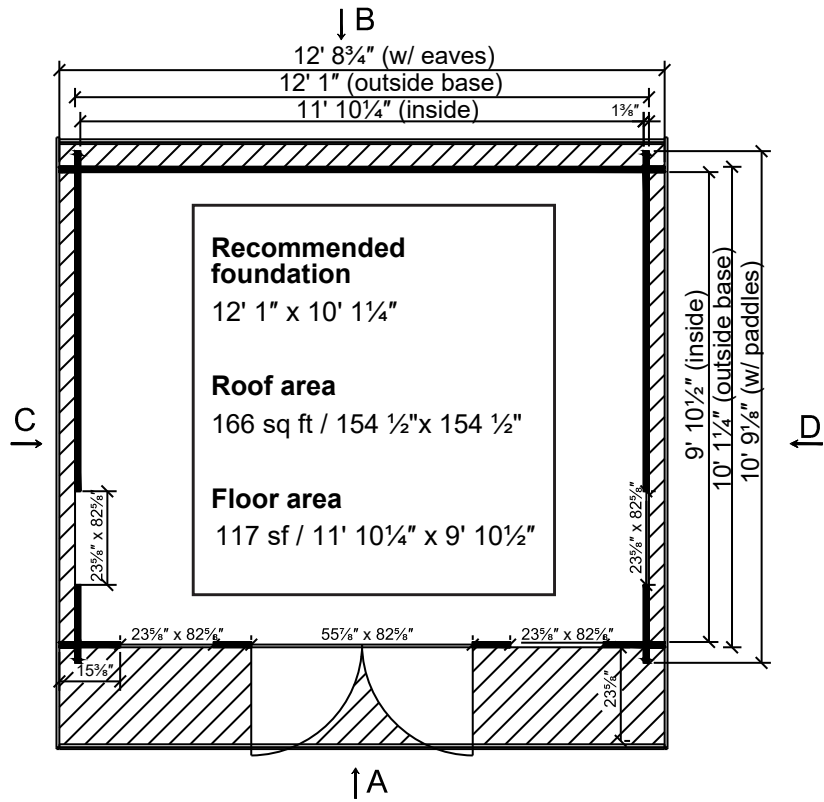
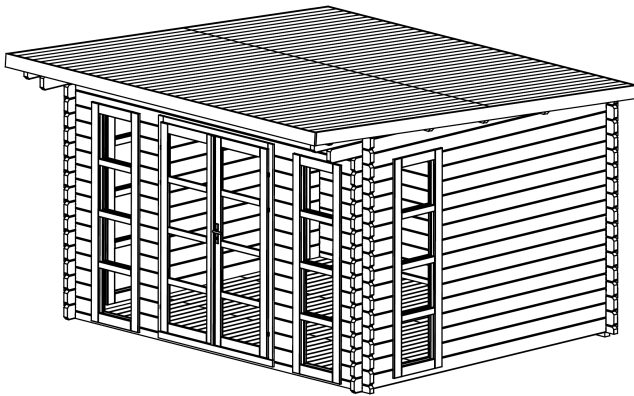
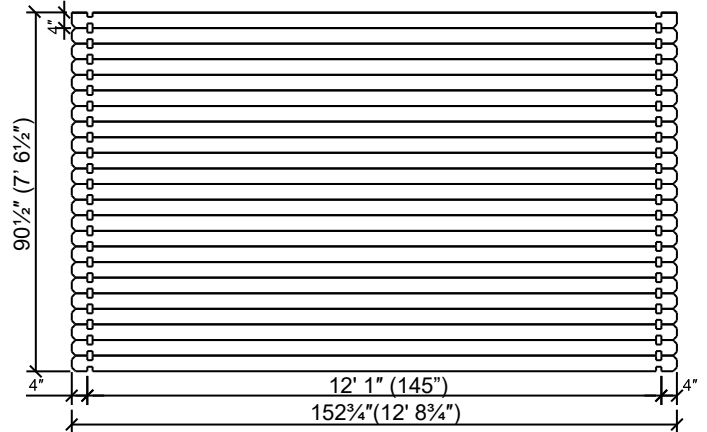


CALIFORNIA 13 x 11

A



B



C & D

