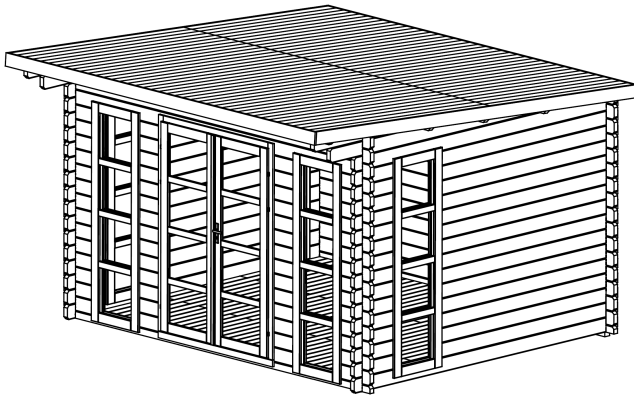
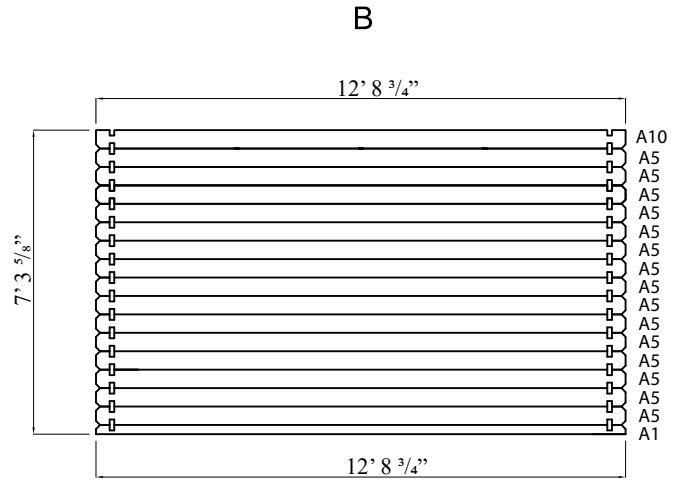
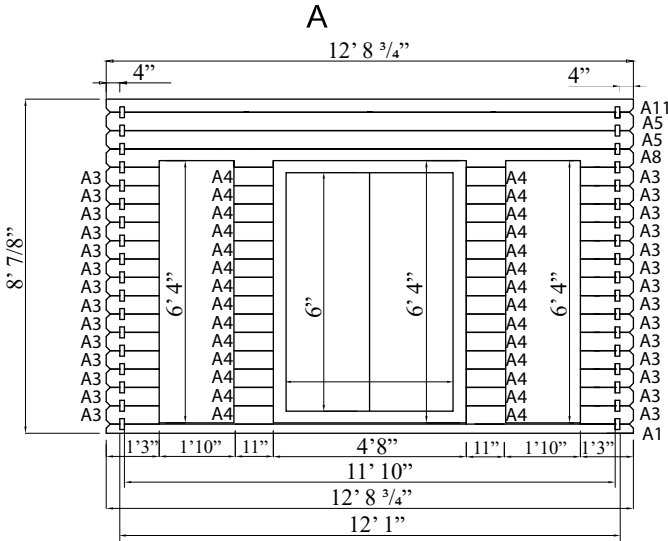
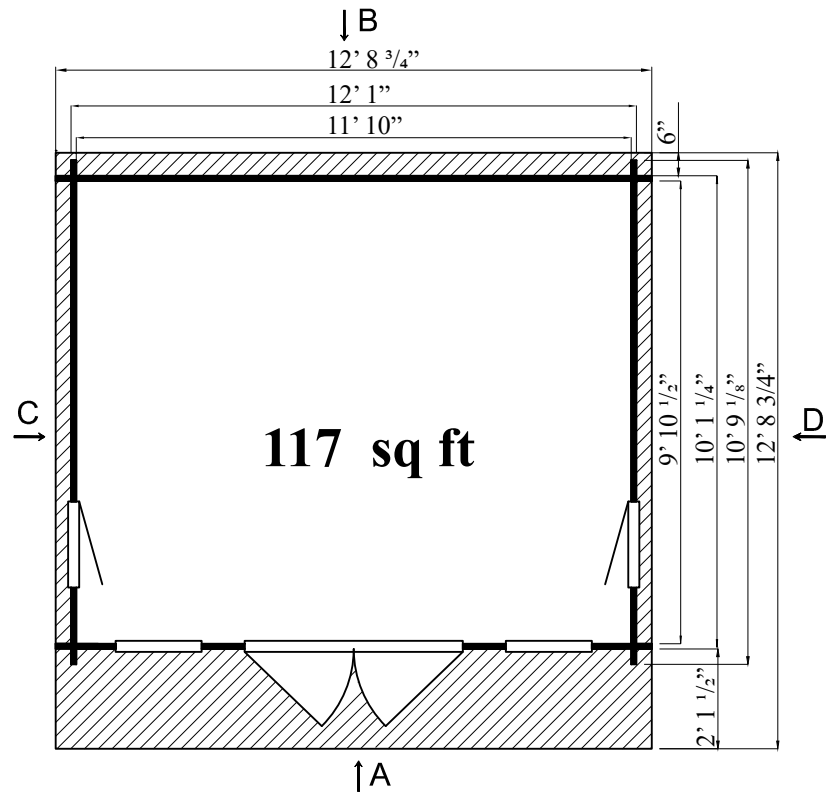


# CALIFORNIA 13 x 11



## Recommended foundation

12' 1" x 10' 1 1/4"



C&D

