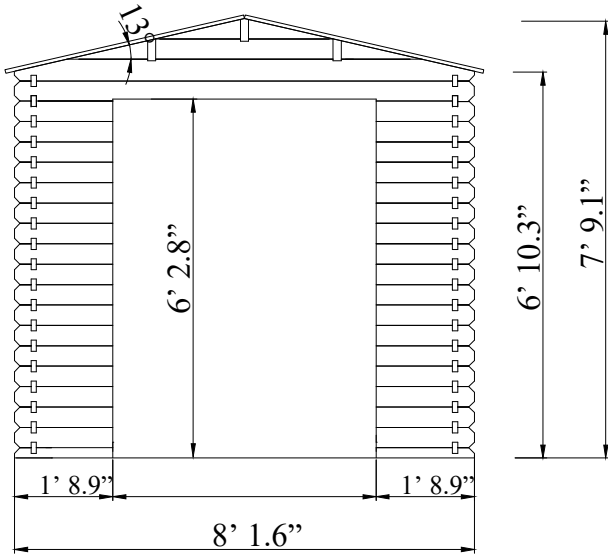
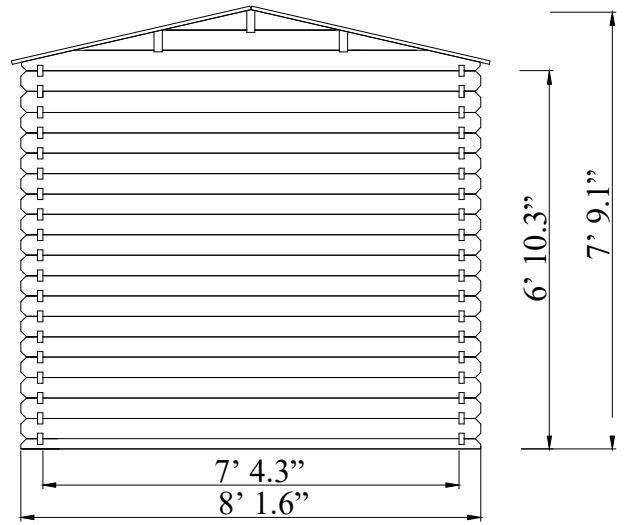


SHIBA 8 x 8

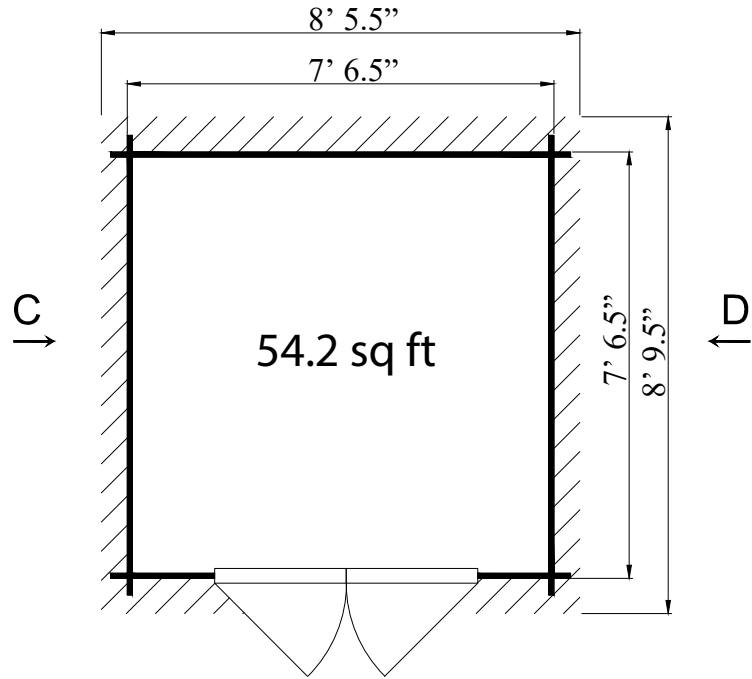
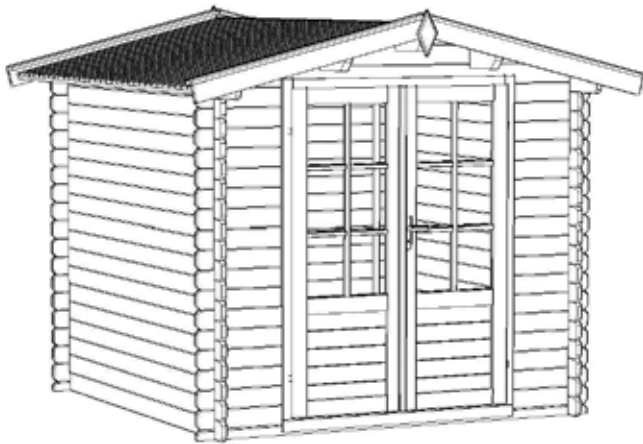
A



B

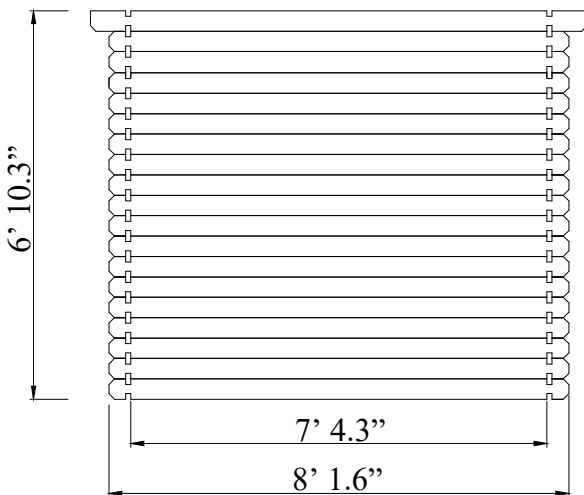


↓ B



Recommended foundation size: 7' 6.5" x 7' 6.5"

C



↑ A

D

